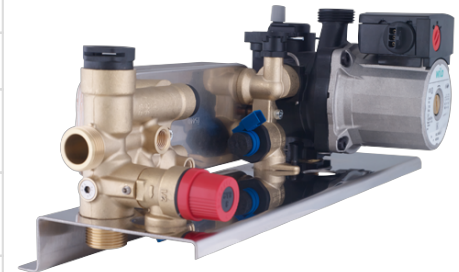


**Valves / Hydroblocks / HB-1535**

**CONSTRUCTIVE PROPERTIES**

|  | STANDARD   | OPTIONAL                       |
|--|--|--------------------------------|
| Material                                   | Ms-58 Brass (CuZn40Pb2)                                  | -                              |
| Hydroblock Type                            | Monothermic  | -                              |
| Domestic Hot Water Flow Rate (Inlet Block) | 8 lt / min.   10 lt / min.   12 lt / min.   15 lt / min. |                                |
| Check Valve Opening Pressure (nominal)     | Varies as per customer request                           | -                              |
| Safety Valve Opening Pressure (nominal)    | 3 bar  | Varies as per customer request |
| Flow Sensor Type                           | Turbine (Hall Effect-Variable)                           | -                              |
| By-Pass Type                               | Internal - Through heat exchanger                        | -                              |



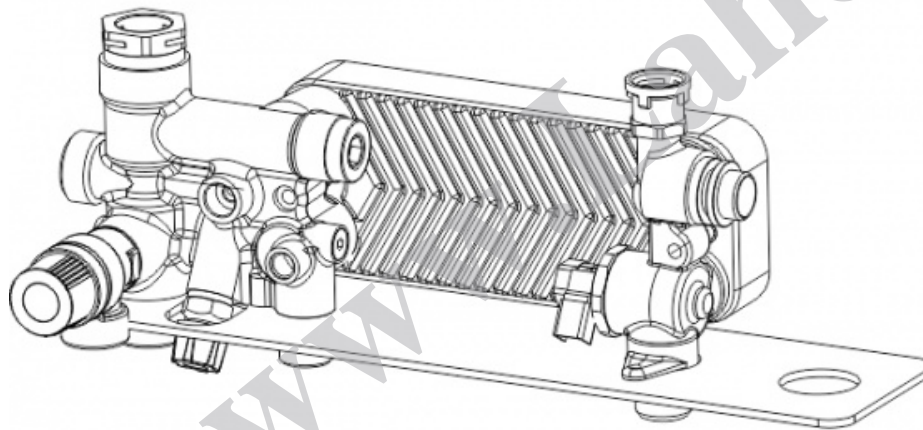
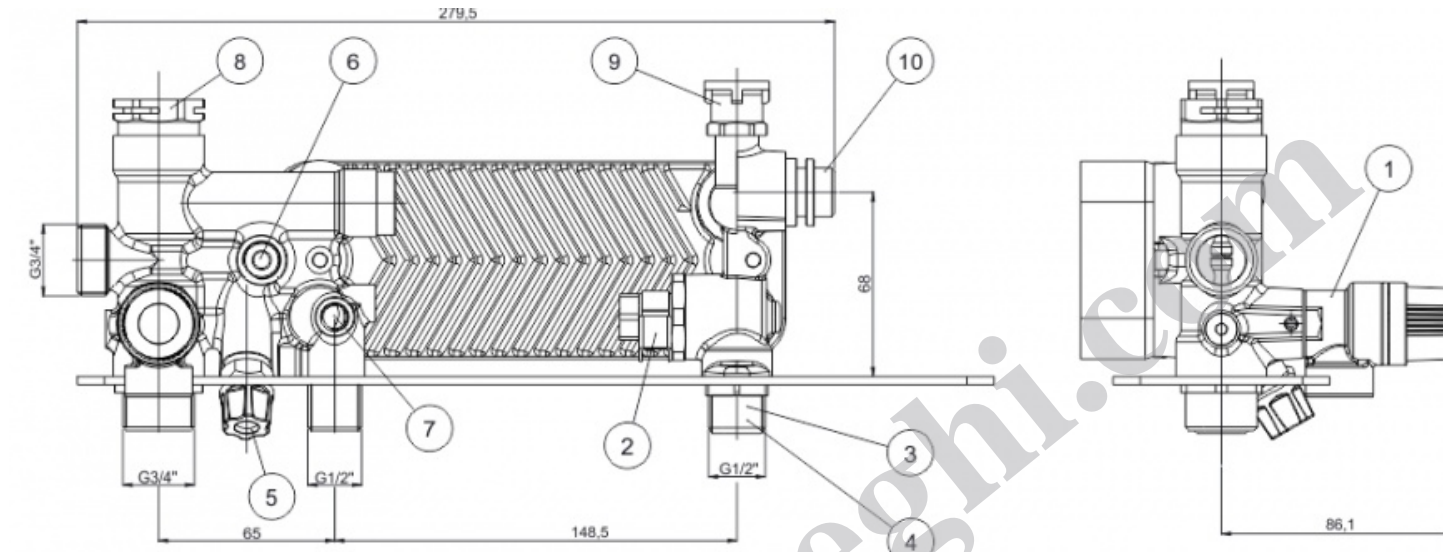
**HB-1535**

**USAGE PROPERTIES**

|                     |                |   |
|---------------------|----------------|---|
| Storage Temperature | -20 ... +60 °C | - |
| Max. Water Temp.    | 120°C          | - |

www.Laheghi.com

Valves / Hydroblocks / HB-1535



|    |  |
|----|--|
| 1  | Safety valve-3bar                      |
| 2  | Flow Sensor (Turbine Type,Hall Effect) |
| 3  | Flow Regulator                         |
| 4  | Filter                                 |
| 5  | Filling Tap                            |
| 6  | Manometer Connection-G1/4"             |
| 7  | NTC Connection-G1/8"                   |
| 8  | 3-Way Valve Group                      |
| 9  | High Pressure Switch Connection        |
| 10 | Pump Connection                        |

Model No: HB-1535